

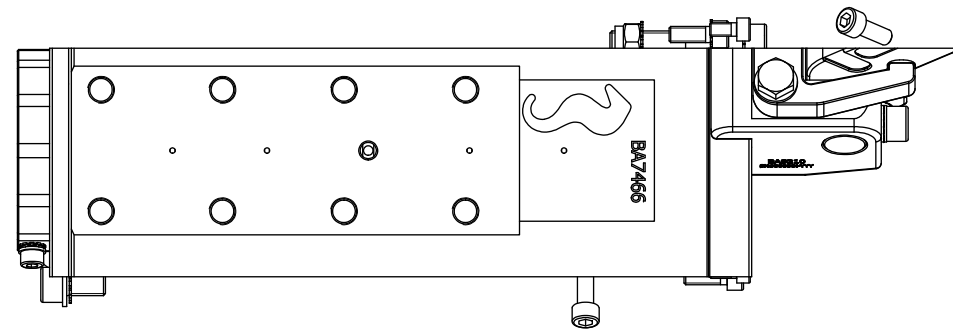
NOTE: 1
 DESIGN CODE:
 NS-EN 13445:2009 / ISO 13628-8

NOTE: 2
 TECHNICAL CLASSIFICATION:
 Article Type: 003-Valve Stabs
 Main Group: 3.07. Ø55/Ø57-Valvestab
 Intermediate Group: 3.42.02. Receptacle
 Sub Group: 3.42.103.6. Hexa

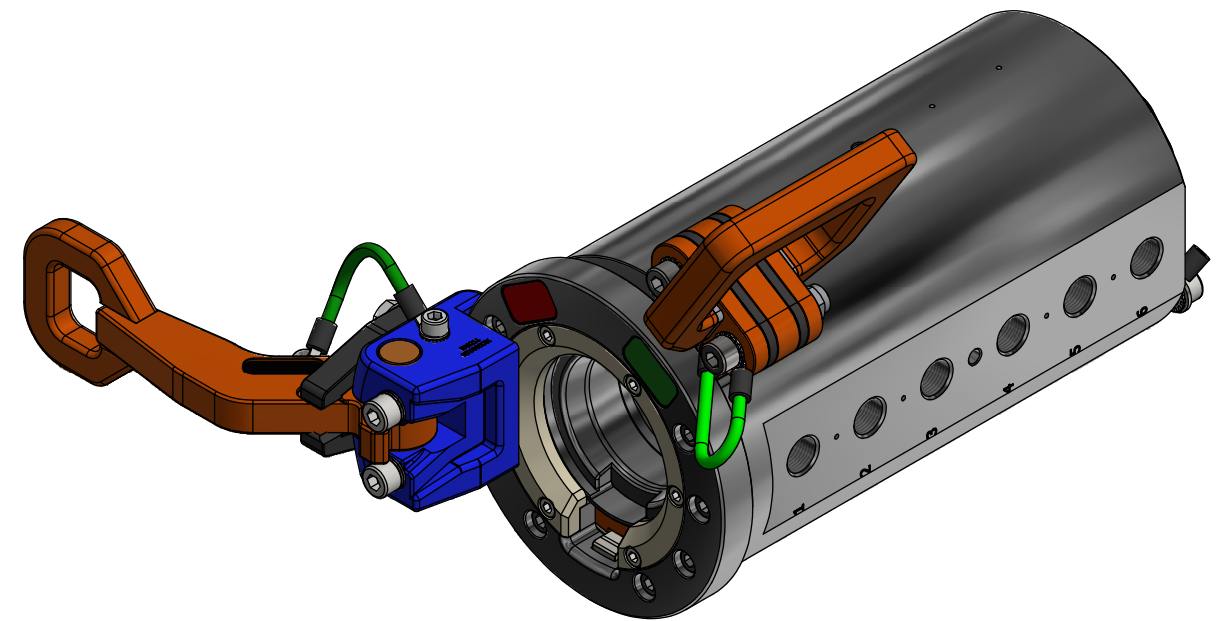
NOTE: 3
 INTERFACE INFORMATION:
 Pressure Rating Bar: 690
 Material: Long-term
 Weight: 22 kg
 Volume: 2,88 dm³
 Surface Area: 6212 cm²
 Hydraulic: 3/8" BSP
 Mechanical: 8xM10 (45x45x45)
 Electrical: N/A
 Com. & Protocol: N/A

NOTE: 4
 ADDITIONAL INFORMATION:
 Valve Stab Receptacle with 6 individual hydraulic lines for long term submersion, when connected to external CP system. Equipped with a key system to ensure only male stab with correct key (blue colour) can be inserted (BA8371).
 A mechanical lever arm reduces stab mating force.
 When stab is inserted and valves opened (red position) a weak link system ensures that the stab can be pulled out in an emergency situation, emergency release force approx. 3kN.
 For more information - request usermanual 600142-TD-0001.

NOTE: 5
 SPAREPARTS:
<http://e-sea.bluelogic.no/main.aspx?page=article&artno=BB1053>



SECTION A-A
 (MOUNTING INTERFACE)



WEB REFERENCE LIST				
ITEM	QTY	PART No.	TITLE	WEBLINK
1	1	BA9210	Lock Mechanism Ø55/Ø57 HP VStab V2 Blue Key	http://e-sea.bluelogic.no/main.aspx?page=article&artno=BA9210
2	1	BA7466	Ø55/Ø57 HP VStab Rec 10k Long-term BSP 3/8" Double Seal	http://e-sea.bluelogic.no/main.aspx?page=article&artno=BA7466

Rev.	Date	Reason for issue	Revision change	Made	Chk'd	Appr.
04	21.2.2019	9-IFU (Issued for Use)		WTJ	LGH	WTJ
03	1.11.2016	9-IFU (Issued for Use)		WTJ	LGH	WTJ
02	24.5.2016	9-IFU (Issued for Use)		WTJ	LAE	WTJ
01	31.3.2016	2-IFT (Issued for Tender)		WTJ	HSE	WTJ



Dwg Scale: NTS	Drawing title: Ø55/Ø57 HP VStab Rec BSP 3/8" wLock Mechanism Blue Key
Dwg Proj: 	
Dwg Format: A3	Drawing number: BA8366
	Rev. 04